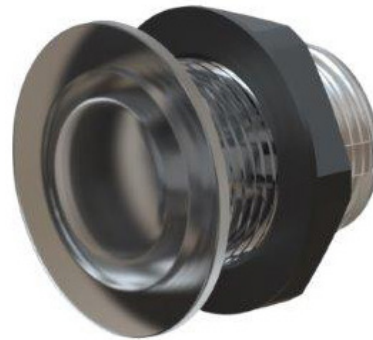




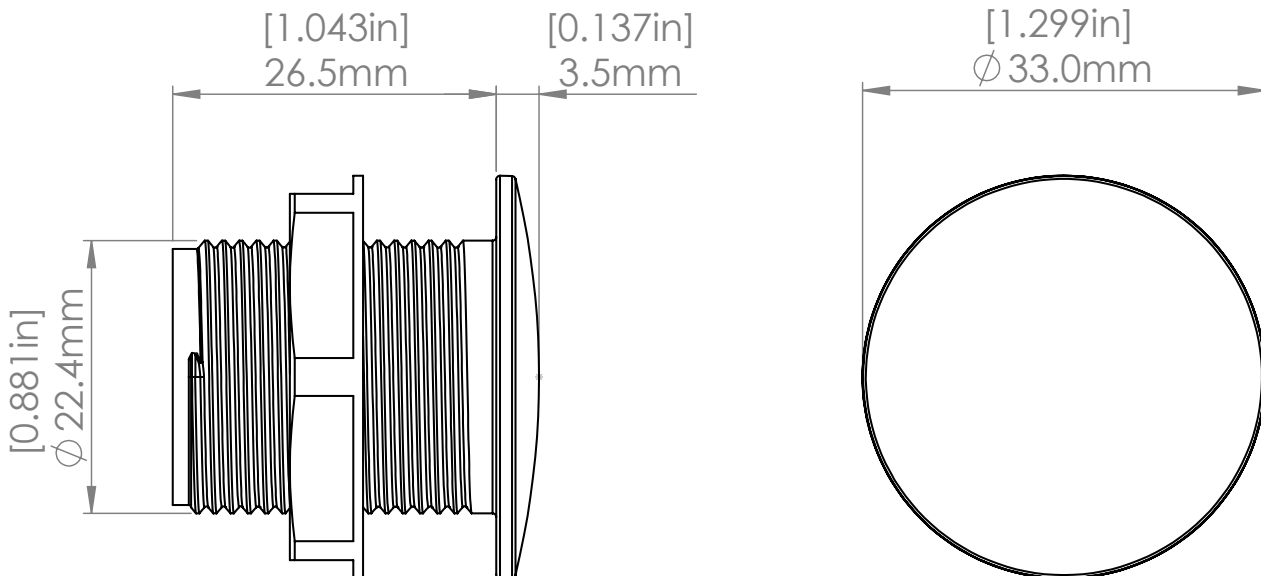
eclipse

Eclipse Courtesy Light - White

CL30



PART DESCRIPTION	CL30 ECLIPSE COURTESY LIGHT
Part Number	60-0479 - ECLIPSE Courtesy Light CL30 White (5000 K)
Available Colors	White (5000 K)
LED Type	3 x 0.5W White LEDs
Fixture Lumens	45 Lumens
Warranty	2 Years
Customer Control Options	On/Off Switch Eclipse Command Center
Electrical Installation	Simple 2 Wire Installation



TECHNICAL	
Driver	Internal Driver
Supply Voltage Range	12V DC Only (10 - 15V DC)
Max Current Draw (12V DC)	0.1A
Surge Protection	Yes
Low Voltage Protection	Yes
Auto Power Control	Yes
“Soft Start” Electronics Protection	Yes
Reverse Polarity Protection	Yes
In Rush Current Protection	Yes
Power Line Noise Suppression	Yes
ISO 8846 (Ignition Protection)	Yes

PHYSICAL	
Ingress Protection	IP67
Front Diameter (Bezel)	33mm (1.3")
Profile	3.5mm (0.137")
Depth	30.0mm (1.180")
Hole Diameter for Fitting	25.4mm (1.0")
Construction	Clear PC Body
Mechanical Installation	Bulkhead Panel Mount (with marine adhesive)
Weight	34g (1.2 oz)
Installation Location	Outdoor / Partially Covered Areas / Indoor

ACCESSORIES	
Eclipse Command Center	60-0495
Expansion Module (Single Zone)	60-0496
Expansion Module (Double Zone)	60-0497

LIGHTING SYSTEM FUNCTIONALITY (ON/OFF SWITCH)	
On/Off Control	Yes
Dimming Control	Yes

LIGHTING SYSTEM FUNCTIONALITY (ECLIPSE COMMAND CENTER)	
<i>From Smart Device/MFD:</i>	
On/Off Control	Yes
Dimming Control	Yes
Zone Control	Yes
<i>From Momentary Switch (Optional):</i>	
On/Off Control	Yes
Dimming Control	Yes