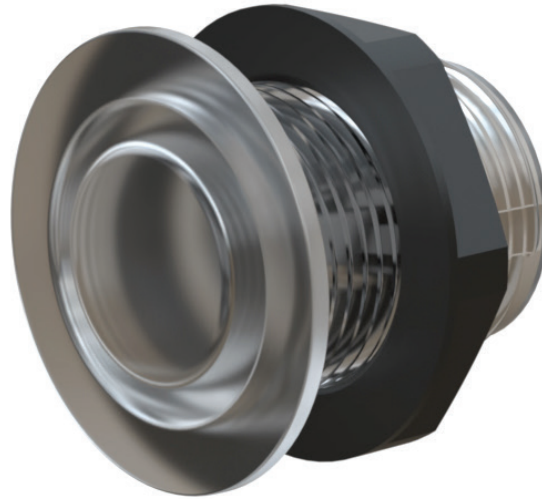


# eclipse Courtesy Light CL30 Installation Guide

60-0478 - Courtesy Light - Blue | 60-0479 - Courtesy Light - White | 60-0480 - Courtesy Light - Blue and White

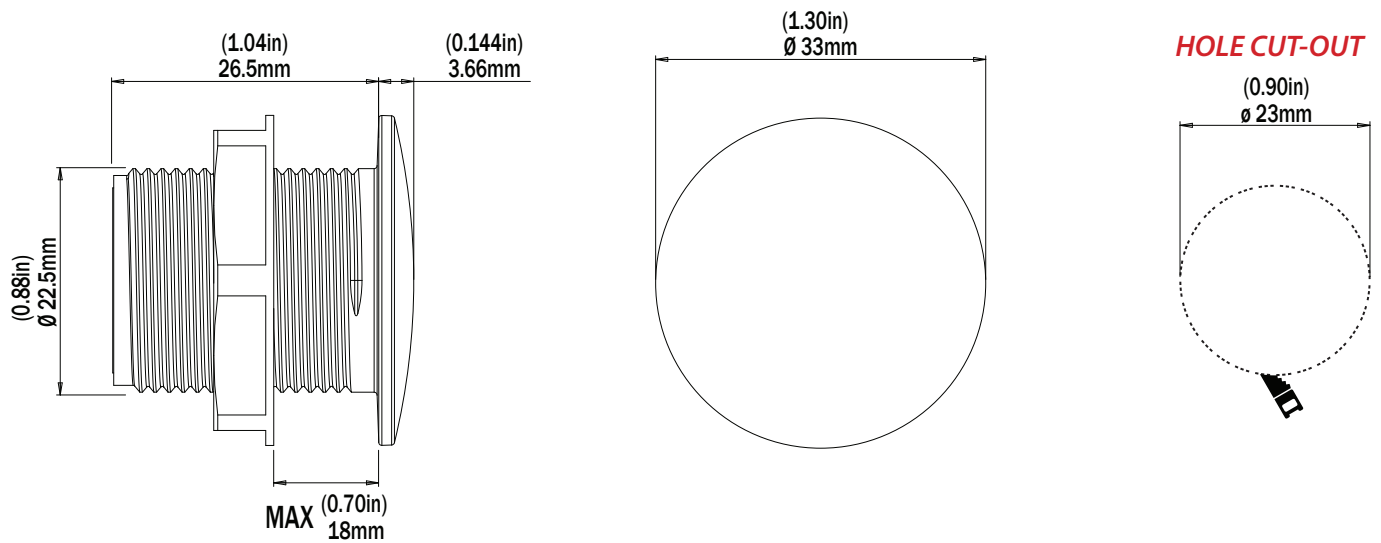
*Please read the following pages before attempting installation*



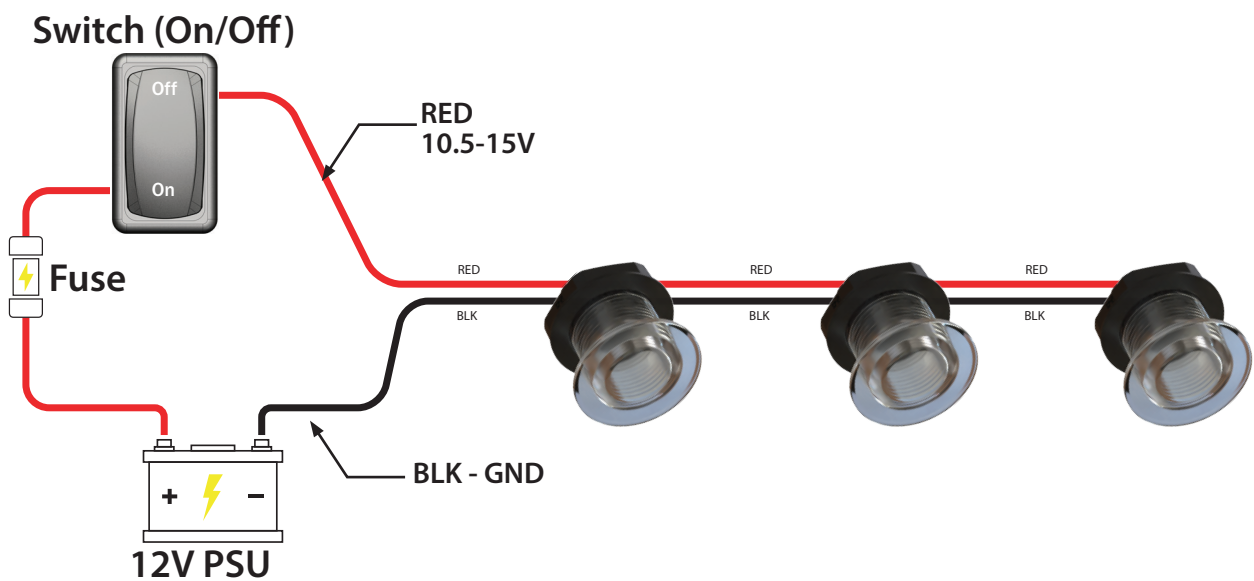
Before you start...

- Always ensure that the vessel's power source and battery are disconnected or isolated prior to installation.
- A qualified professional should carry out both the electrical and mechanical installation.
- The ECLIPSE Courtesy light is designed to be used in conjunction with a simple On/Off switch or used with the ECLIPSE Command Center. Do not connect to any other 3rd party lighting control products or dimmers.
- The ECLIPSE Courtesy light is fully sealed and can be installed inside or outside, it can be installed in wet areas but is not designed to be permanently submerged in water.
- Choose a location – the light must be mounted on a flat – not curved surface.
- The ECLIPSE Courtesy light CL30 is designed to work with 12V boats ONLY. It can operate between 10-15Volts DC. Do not connect voltages outside of this range or connect directly to AC voltage.

**Basic Dimensions:**



**Installation Diagram - Single and dual color using On/Off switch**



**⚠ Important! Use appropriate size cable gauge to ensure < 3% voltage drop to last light in chain.**

**Switch operation**

Single Color : Toggle power switch to dim the light, toggle again to pause. Switch Off for 2 seconds to reset to full power

Dual Color: Toggle power switch to change color. Switch Off for 2 seconds to reset all lights to white.

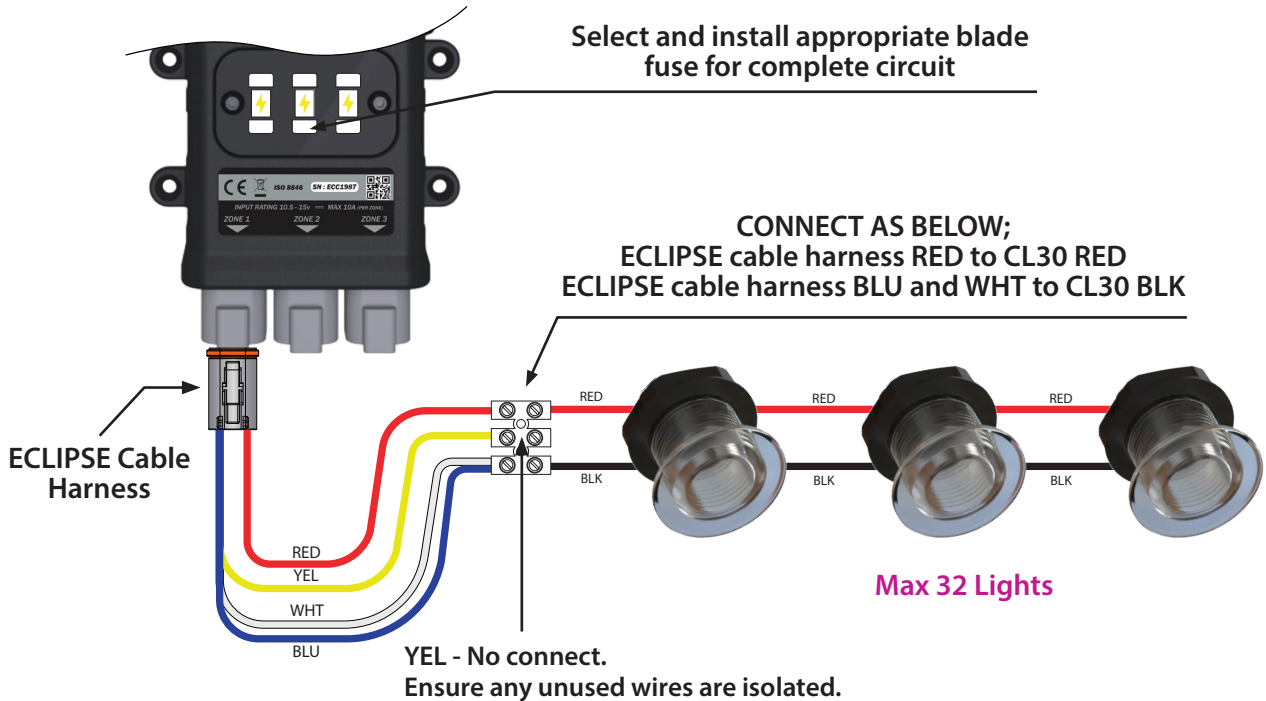
**Typical power rating =  $\approx$  0.5 - 1W per light**

**Typical current draw = 0.08A @ 12Volts**

**Installation Diagram - ECLIPSE Command Center**

*Note: For full ECLIPSE Command Center control consult ECLIPSE Command Center installation manual.*

**ECLIPSE Command Center**

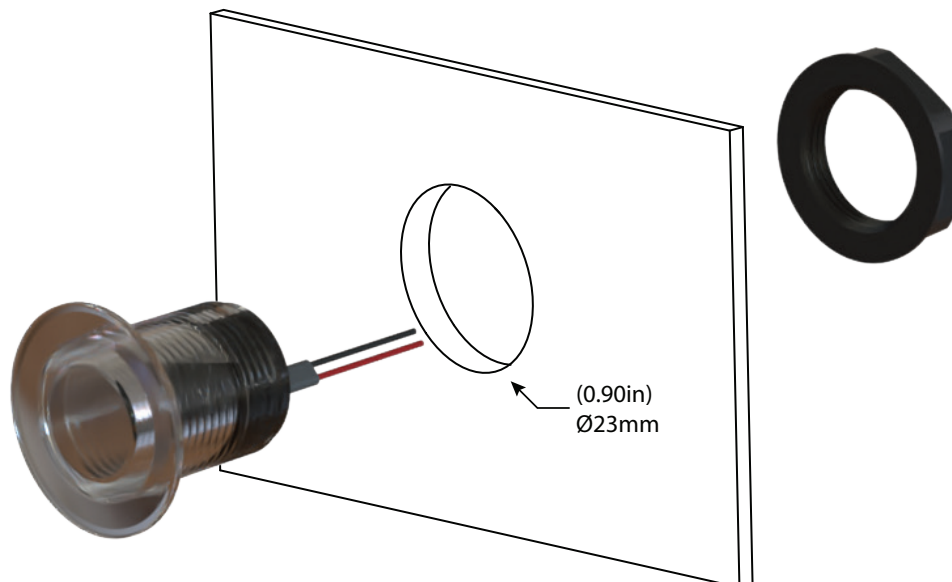


*Note : Single color and dual color lights should not be added to the same zone output. Use a separate zone output for each type.*

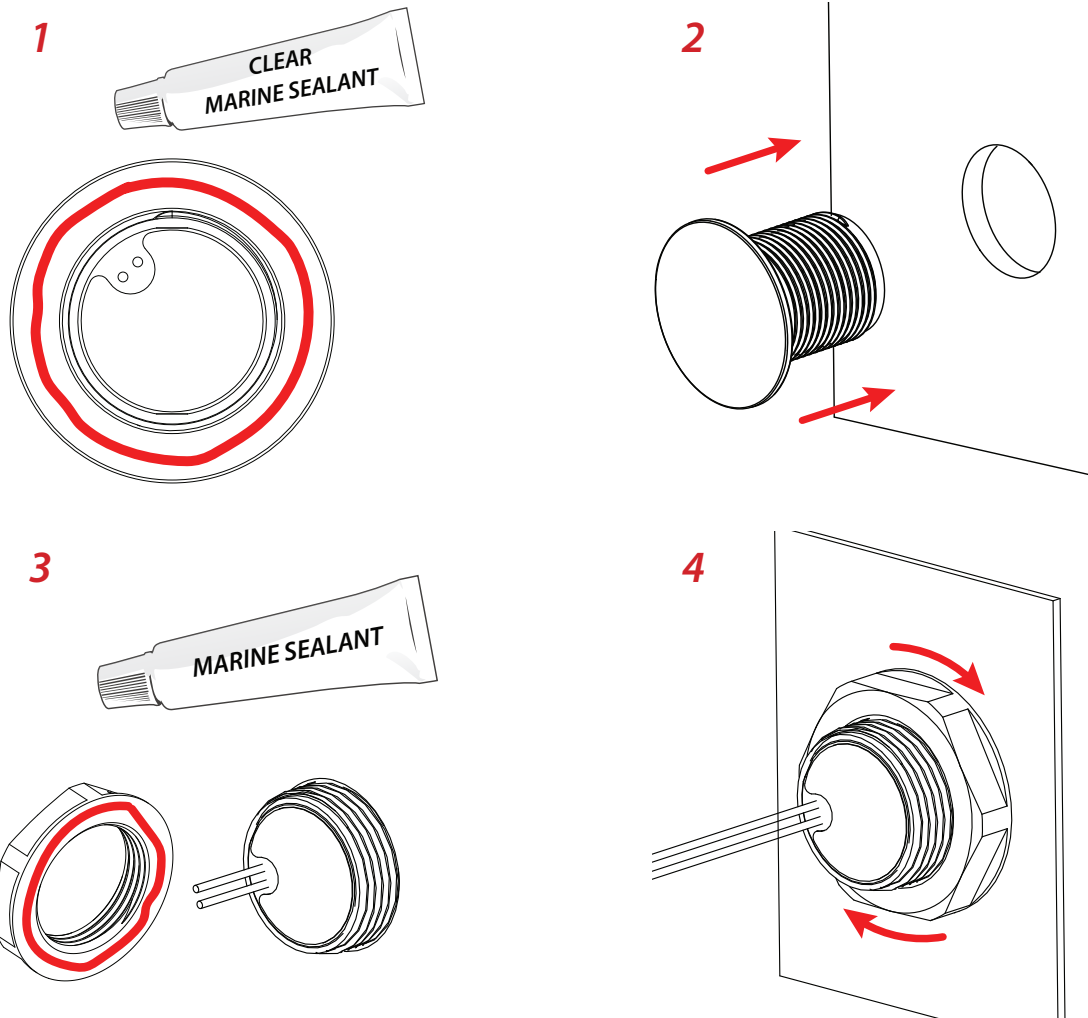
 **Important!** Use appropriate size cable gauge to ensure < 3% voltage drop to last light in chain.

**Mechanical Installation:**

The body is designed to be fitted through a 1in hole, however, it is always recommended cut the hole smaller than needed and file to the correct size to ensure a snug fit.



**CLEAR** marine sealant should be used between lens and mounting surface, and between the hex nut and rear of the mounting surface. Clean any excess adhesive using a soft cloth and soap and water - **DO NOT USE CHEMICAL CLEANERS.**



## Warranty

LUMISHORE Ltd warrants the **ECLIPSE Courtesy Light CL30** to be free from defects in workmanship and materials for a period of two years, starting from the date of original purchase. Misuse, abuse, improper installation, neglect, improper shipping, damage caused by disasters such as fire, flood, and lightning, installation by unqualified personnel, unauthorized repair or modification will void this warranty. For the avoidance of confusion and doubt, non-compliance with all installation, maintenance and operating instructions in this document constitute non-conformance with warranty terms.

# LUMISHORE

