

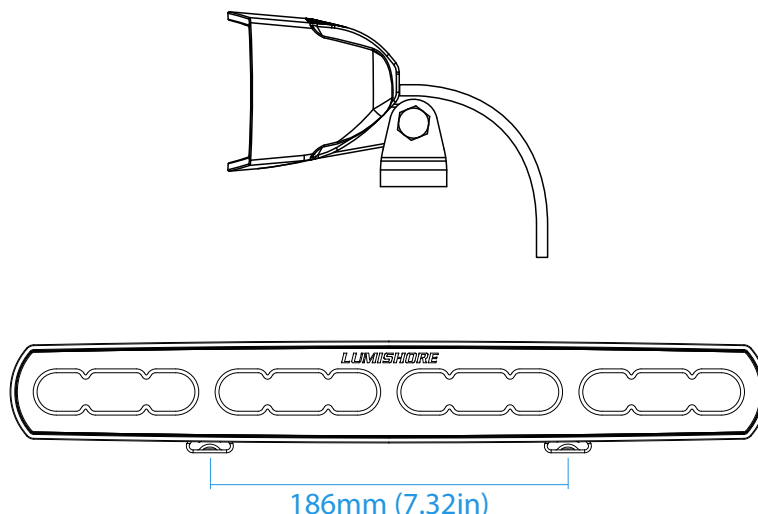
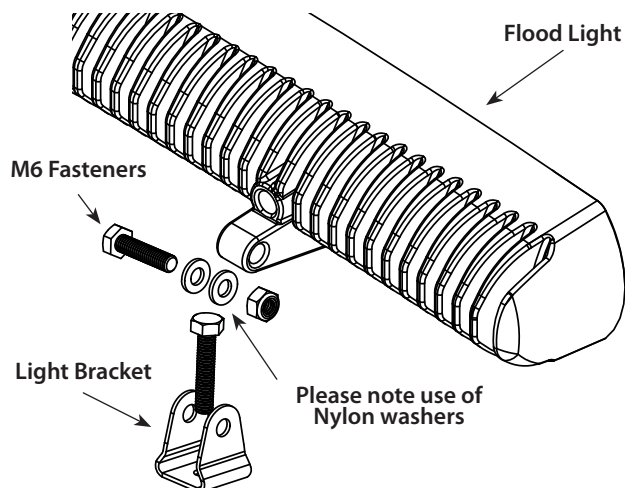


Please read the following pages before attempting installation to ensure complete understanding of Lumishore LUX Flood Light 18". This product should only be installed, inspected, and maintained by a qualified electrician only, in accordance with all applicable electrical codes. Be certain electrical power is OFF before and during installation and maintenance.

Colour Output	Voltage	Amps (max)
LUX 18" (CRGBW)	10-31VDC	9.2A

Installation Instructions:

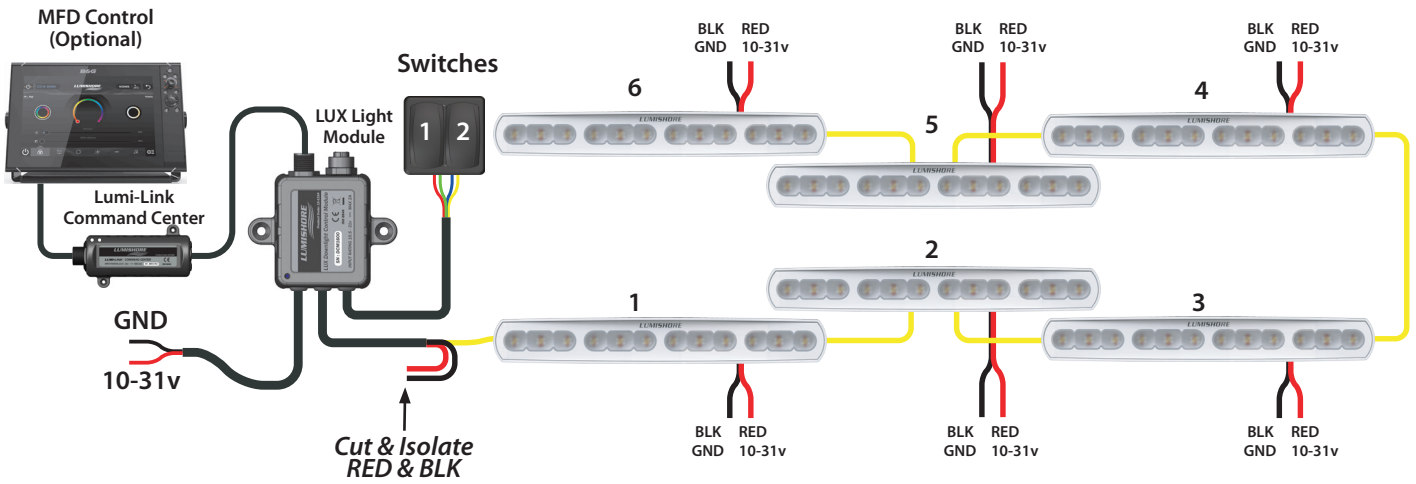
1. Select mounting location. Mounting location should be flat and durable.
2. Using a suitable bit, drill the bracket holes. Bracket has a 6.5mm hole suitable for an M6 bolt (supplied), a louvre feature has been added to lock onto the bolt head and to avoid spinning when tightening.
3. Drill a 7mm (0.275in) hole for the cable. The cable should always be in a 'fixed' position, no movement or rotation. The cable entry should be made watertight, the use of a cable gland is recommended.
4. Fix brackets in place using supplied M6 bolts and nylon insert nuts. Apply the appropriate torque based on fixings used and mounting surface.
5. Mount the flood light to brackets using the supplied M6 bolt, washers and nylon insert nut. Ensure nylon washers are placed on the inside of the stainless steel bracket. Tighten to a torque of 5Nm, DO NOT overtighten.



Wiring Diagrams:

Wiring should be carried out as per ABYC guidelines. The Lumishore LUX Flood Light 18" requires connection to the Lumishore LUX Light Module. YELLOW (Data) wire is daisy chained to each light, RED and BLACK from LUX Light Module is to be cut and isolated. Each light requires it's own connection to a power source, and each lighting circuit MUST be fused accordingly.

Max 16 lights per LUX Light Module



Note : Black wire from each light and LUX Module should connect to common ground

Light Operation:

For full operating instructions please refer to the LUX Light Control Module Installation Manual (45-0145).

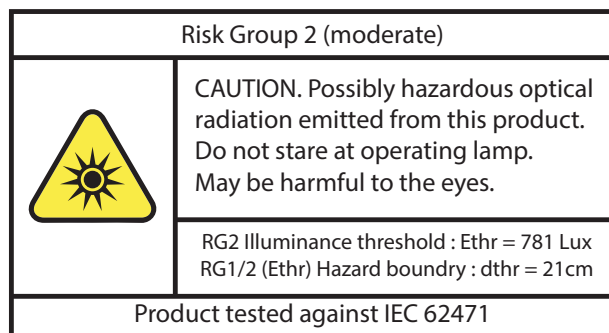
Cleaning and Maintenance:

Use only soap and water to clean the light using a soft cloth. DO NOT use any chemical clanners and DO NOT power wash. Inspection of the light should be carried out regularly.

Safety Information:

This luminaire has been photobiologically tested and given Risk Group 2 rating.

"The luminaire should be positioned so that prolonged staring into the luminaire at a distance closer than Xm is not expected"



Warranty:

LUMISHORE Ltd warrants the LUX Flood Light 18" to be free from defects in workmanship and materials for a period of two years, starting from the date of original purchase. Misuse, abuse, improper installation, neglect, improper shipping, damage caused by disasters such as fire, flood, and lightning, installation by unqualified personnel, unauthorized repair or modification will void this warranty. For the avoidance of confusion and doubt, non-compliance with all installation, maintenance and operating instructions in this document constitute non-conformance with warranty terms.