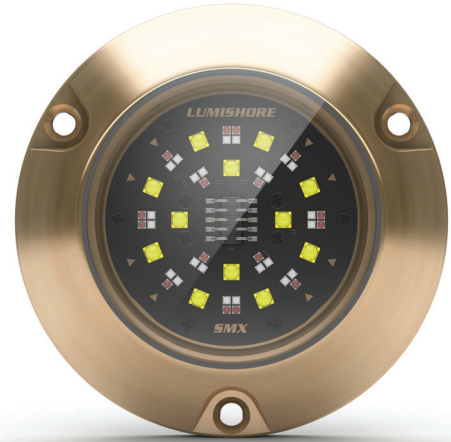




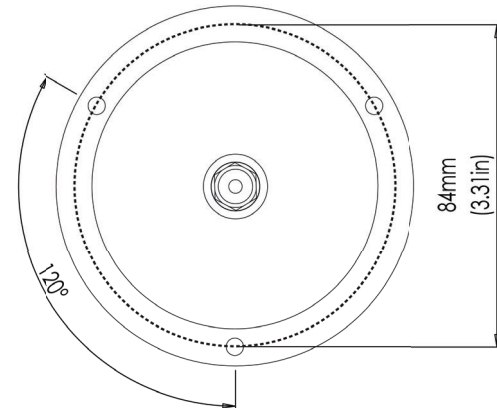
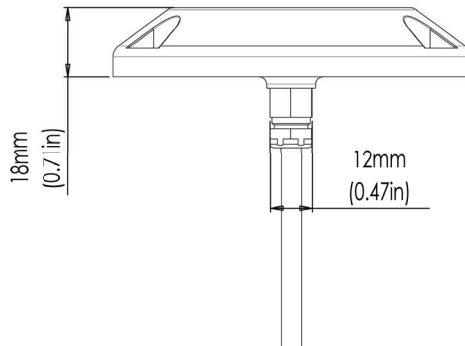
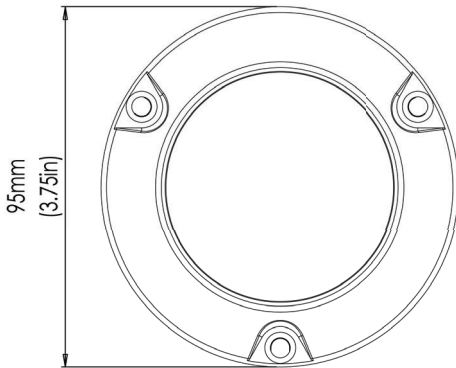
EOS Series - Full Color Change

SMX154

SURFACE MOUNT UNDERWATER LED LIGHT



| PART DESCRIPTION | EOS SMX154 SURFACE MOUNT UNDERWATER LED LIGHT |
|-------------------------|--|
| Part Number: | 60-0536 |
| Available Colors | Full EOS Color Change (RGBW) |
| Lumens | 15,750 |
| Fixture Lumens (White) | 7,000 |
| Number & Type Of LED | White-12×10W / Green-12×3W / Blue-12×3W / Red-16×3W |
| LED Power - HICOB Array | Yes |
| Typical LED Life | 50,000+ Hours |
| Warranty | 3 Years |
| User Control Options | Certified MFD Screen EOS-LUX-SUPRA Display WiFi Control from Smart Phone or Connected Device (via MFD or 2204i Wifi) |
| Electrical Installation | Plug-and-Play Connections |
| Housing Type | Marine Bronze Body with Borosilicate Glass Lens |



EOS Series - Full Color Change SMX154

SURFACE MOUNT UNDERWATER LED LIGHT



TECHNICAL

| | |
|-------------------------------------|---|
| Driver | Multi-Channel Internal Driver |
| Supply Voltage Range | 10.5–31 VDC |
| Max Current Draw 12/24V | 4.0 A/2.0 A |
| Surge Protection | Yes (3,000V) |
| ATRB (Automatic Thermal Roll-Back) | Yes |
| Low Voltage Protection | Automatic Voltage Roll-Back Control And Low Voltage Cut Out |
| Auto Power Control | Yes – Intelligent Multi-Channel Power Management |
| “Soft Start” Electronics Protection | Yes |
| Reverse Polarity Protection | Yes |
| In Rush Current Protection | Yes |
| Power Line Noise Suppression | Yes |
| Bonding | Not Required |
| Communications Protocol | Lumi-DMX (DMX 512 and RDMX Compatible) |
| Electrical Installation | Plug-and-Play Connections |
| Max Vessel Length | 15m (50') |
| Hull Material Type | All (Isolation Kit Must Be Used On Conductive Hull Materials) |

PHYSICAL

| | |
|---|--|
| Beam Angle | 90° |
| Water Ingress Protection Rating | IP68 |
| Light Face Diameter | 95mm (3.75") |
| Profile (Height) Of Housing | 18mm (0.71") |
| Housing Type | Marine Bronze Body with Borosilicate Glass Lens |
| Light Cable Length | 3m (9'9") Standard, 3m (9'9") Extension cable. Note: 6m (19'6") max total length |
| Hole Cut-Out for Cable (Drill bit size) | Metric: 13.5mm Imperial: 17/32" (0.5313") |
| Weight | 620g (1.36 Lbs) |
| Mechanical Installation | 3 x Marine Bronze Screws (Provided) |

LIGHTING SYSTEM FUNCTIONALITY

| | |
|---|-----|
| MFD Integration (with EOS-LUX Command Center) | Yes |
| Zone Control | Yes |
| Scenes | Yes |
| Full Color Spectrum Color Cycle | Yes |
| Preset Colors | Yes |
| Lights Synchronized (All Lights, All Colors, All Modes) | Yes |
| Fixed Strobe (Any Color, Adjustable Speed) | Yes |
| Random Strobe Mode (Any Color) | Yes |
| Customizable Strobe Mode | Yes |
| Color Cycle (Adjustable Speed) | Yes |
| Color Sweep (Adjustable Speed) | Yes |
| Customizable Favorites | Yes |
| Sound-To-Light | Yes |
| Individually Addressable Lights | Yes |
| External DMX/RDMX | Yes |
| Brightness Adjust | Yes |
| Automatic Light Discovery And Setup | Yes |
| Diagnostic Function | Yes |
| Wi-Fi Control | Yes |

ACCESSORY PART NUMBER

| | |
|--|---------|
| EOS i-Connect Hub (up to 4 lights per Hub) | 60-0321 |
| EOS-LUX Command Center | 60-0366 |
| EOS-LUX-SUPRA Display | 60-0369 |
| Light Extension Cable - 3m (9'9") | 60-0407 |
| DMX Link Cable - 0.2m | 60-0465 |
| DMX Extension Cable - 1m | 60-0403 |
| DMX Extension Cable - 5m | 60-0404 |
| DMX Extension Cable - 15m | 60-0405 |
| SMX M Series Hull Isolation Kit | 39-0203 |