

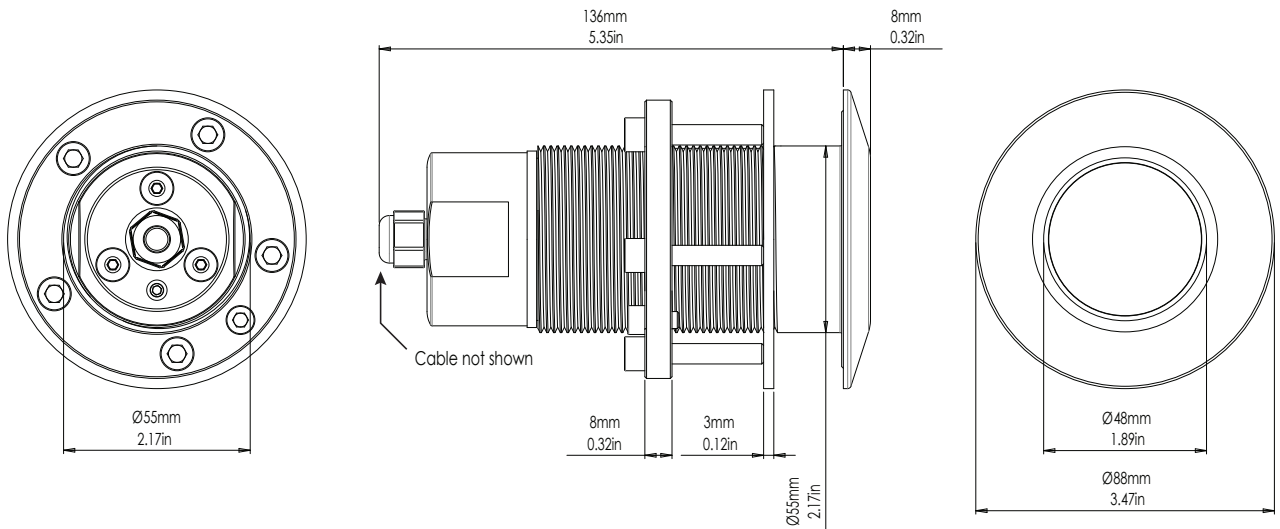


SUPRA Series - Dual Color TIX404

INTERCHANGEABLE THRU-HULL UNDERWATER LED LIGHT

PART DESCRIPTION		SUPRA TIX404 INTERCHANGEABLE THRU-HULL UNDERWATER LED LIGHT	
Part Number	60-0555		
Available Colors	Dual Color (Blue & White)		
Lumens	18,340		
Fixture Lumens (White)	8150		
Number & Type Of LED	White - 12 x 10W, Blue - 24 x 3W		
LED Power - HICOB Array	Yes		
Typical LED Life	50,000+ Hours		
Warranty	3 Years		
User Control Options	SUPRA i-Connect Hub & Switch Certified MFD Screen* EOS-LUX-SUPRA Display WiFi control from Smart phone or Connected Device (via MFD or local WiFi Network)*		

* Requires SUPRA Bridge Module



SUPRA Series - Dual Color

TIX404

INTERCHANGEABLE THRU-HULL UNDERWATER LED LIGHT



TECHNICAL

Driver	Multi-Channel Internal Driver
Supply Voltage Range	10.5–31 V DC**
Max Current Draw 12/24V	6.4 A / 3.2 A
Surge Protection	Yes (3,000V)
ATRB (Automatic Thermal Roll-Back)	Yes
Low Voltage Protection	Automatic Voltage Roll-Back Control And Low Voltage Cut Out
Auto Power Control	Yes - Intelligent Multi-Channel Power Management
“Soft Start” Electronics Protection	Yes
Reverse Polarity Protection	Yes
In Rush Current Protection	Yes
Power Line Noise Suppression	Yes
Connections	Plug and Play

**AC Options Available - Contact Lumishore for more information

PHYSICAL

Beam Angle	110°
Water Ingress Protection Rating	IP68
Light Face Diameter	88mm (3.47")
Profile (Height) Of Housing	8mm (0.32")
Shaft Length	136mm (5.35")
Housing Type	Marine Bronze Body with Borosilicate Glass Lens
Light Cable Length	3m (9.8') Standard
Hole Cut-Out for Shaft (Hole Cutter Size)	Metric: 57mm Imperial: 2-1/4 " (2.25")
Weight	1.2 Kg (2.6 Lbs)
Bonding	Required (Bonding Connection Provided on Light)
Isolation Option	Hull Isolation Sleeves Available For Metal Hull Installation

LIGHTING SYSTEM FUNCTIONALITY (I-CONNECT HUB & SWITCH)

Mode	Toggle switch to move to the next mode
White	Yes
Blue	Yes
Strobe	Yes
Synchronized Strobe	Yes
Fade Mode	Yes
Synchronized Fade Mode	Yes
Light Control via MFD Screen or EOS-LUX-SUPRA Display	Yes*

*These features require a SUPRA Bridge Module and compatible MFD. This allows easy integration and control direct from MFDs, and other third party control systems.

ACCESSORIES **PART NUMBER**

THX/TIX-SUPRA i-Connect Installation Kit (i-Connect Switch & i-Connect Hub)	60-0329
Additional i-Connect Hub	60-0330
3m Extension cable (Light to Hub)	60-0401
Hull Isolation Kit	60-0210
SUPRA Bridge Module	60-0368